

Durability of Surface Printing/Tipping Fixture



Durability of Surface Printing/Tipping Fixture

Q-Card's durability of surface printing/tipping fixture is designed to be a secure hold down of the card under test. The fixture holds a standard ID-1 size card in a cavity that securely holds the card in place when removing test tape.

The fixture is manufactured of a durable aircraft grade aluminum with a hard-anodized coating for durability.

It has splayed feet and aggressive non-slip rubber feet for stability.

The fixture is designed to perform the following tests (tape not included):

MasterCard CQM

- Durability of Surface Printing
- Durability of Tipping

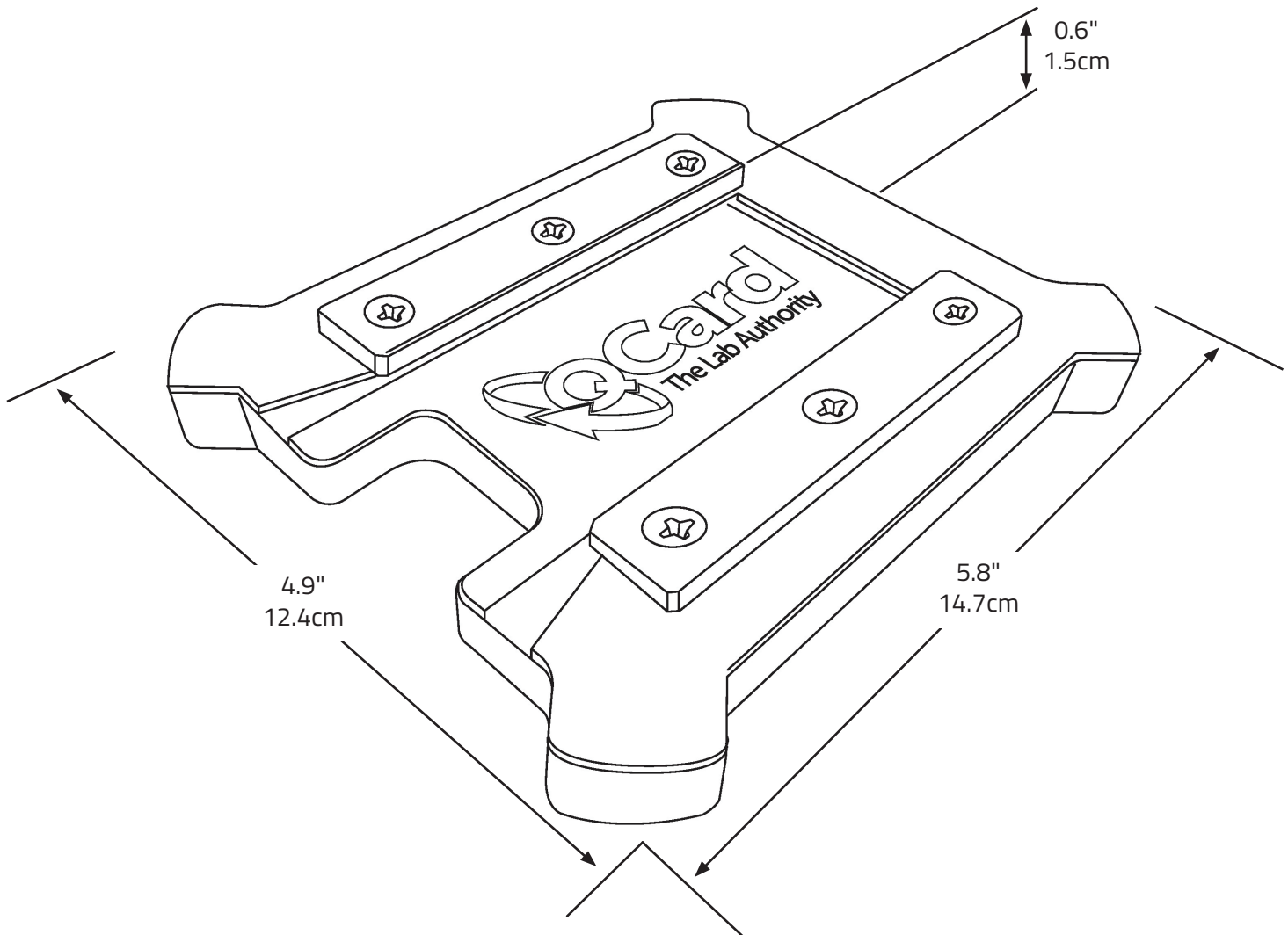
Ordering Details

Part #	Description
906703	Durability of Surface Printing/ Tipping Fixture

Specifications

Weight - 2 lbs.

Dimensions



301 Reagan Street
Sunbury, PA 17801 USA
Phone: 570.286.7447
Fax: 570.286.2649
www.q-card.com

Q-Card is



ISO 9001
Compliant

800-717-8007